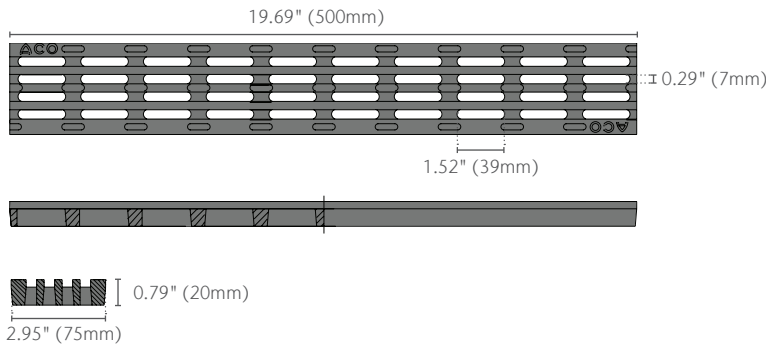


# K50 Ductile Iron Longitudinal Grate (ADA) Spec Sheet



## K50 Ductile Iron Longitudinal Grate

part no. 95553



Product Name	Part No.	Length in (mm)	Width in (mm)	Weight lbs
K50 Ductile Iron Longitudinal Grate	95553	19.69 (500)	2.95 (75)	7.3

### Specification Summary

#### General

The surface drainage system shall be ACO Drain MiniKlassik K50/K550 channels complete with ACO MiniKlassik Ductile Iron Longitudinal Grate as manufactured by ACO, Inc. or similar approved.

#### Installation

The trench drain system and grates shall be installed in accordance with the manufacturer's installation instructions and recommendations.

#### Materials

The covers shall be manufactured from stainless steel and have minimum properties as follows:

- Ductile iron to ASTM A 536-84 - grade 65-45-12
- Intake area of 17.4 in<sup>2</sup> (112.3 cm<sup>2</sup>)/ ½ m grate

The overall width of 2.95" (75 mm) and overall length of 19.69" (500 mm). Slots measure 0.29" (7 mm) by 1.52" (39 mm).



Australian Standard AS 3996 - 2006 Clause 3.3.6: max slot length dependent on slot width for grates that are deemed Bicycle Tire Penetration Resistant.



ASME: A112.6.3 : Section 7.12 Heel-resistant Strainers & Grates grate hole size ≤ 0.31" (8 mm)



ADA-compliant per The Americans with Disabilities Act of 2010, Section 302.3

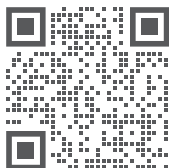


EN 1433 Load Class C 56,202 lbs – 1,160 psi

### ACO, Inc.

© January 2026 ACO, Inc.

All reasonable care has been taken in compiling the information in this document. All recommendations and suggestions on the use of ACO products are made without guarantee since the conditions of use are beyond the control of the company. It is the customer's responsibility to ensure that each product is fit for its intended purpose and that the actual conditions of use are suitable. ACO, Inc. reserves the right to change products and specifications without notice.



info@acousa.com  
www.acousa.com

